



BXV

**HIGH
PERFORMANCES
LEVELS FOR
RESIDENTIAL
SETTINGS.**

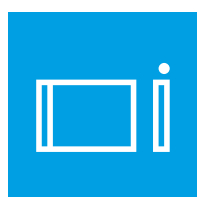
CAME 

[CAME.COM](https://www.came.com)





BXV is the most efficient operator for residential gates, designed to suit the needs of large apartment blocks and small residential settings.



BXV

MAIN FEATURES

- Tested for INTENSIVE DUTY on sliding gates gates weighing up to 1000 kg and up to 20 -m long.
- FOUR MOTORS, also available in the Rapid versions.
- DC SYSTEM (24 V) WITH ENCODER, ensures perfect slow-downs management and best performances.
- COLOR-CODED TERMINALS for faster connections and diagnoses.
- MULTIFUNCTIONAL DISPLAY allows easy set up and maintenance.
- NEW MANUAL RELEASE SYSTEM with key slot.

RAPID VERSION: TWO TIMES FASTER THAN STANDARD MOTORS



Ensuring the shortest waiting time, BXV rapid version is the powerful solution for any installation where fast opening and closing manoeuvres are required.

It allows to open and close the gate two times faster than standard motors, guaranteeing quick transit in any context, high levels of security and maximum comfort.

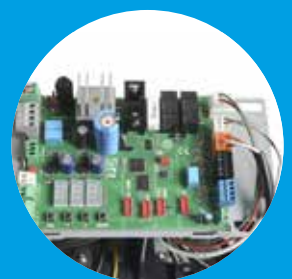
RAPID VERSION: UP TO 22 m/min



OTHER FEATURES

- ROLLING CODE AND TWIN RADIO DECODING up to 250 users.
- MEMORY ROLL MODULE to save and load the configuration data and transmitters.
- DESIGNED WITH CAME CONNECT SLOT for remote control.
- Compatible with CAME KEY for fast programming.
- MAGNETIC LIMIT-SWITCHES and heater for extreme weather conditions.

A dedicated cover ensures greater protection to the control board without slowing down the programming phase.





Sleek design, strength and lifespan make BKV the perfect solution for every residential setting.

NEW DESIGN AND HIGHER EFFICIENCY

The ZN7 control board is fitted horizontally for easier access and to create more space for any accessories.

RIO SYSTEM

wireless technology is CAME solution for installing all the control and safety devices through radio connection, with no need of cables.

TRANSPONDER READER AND KEYBOARD

directly connected to control board R800/R700 slot

ENERGY SAVING MODULE

for low consumption during standby.

RSE MODULE

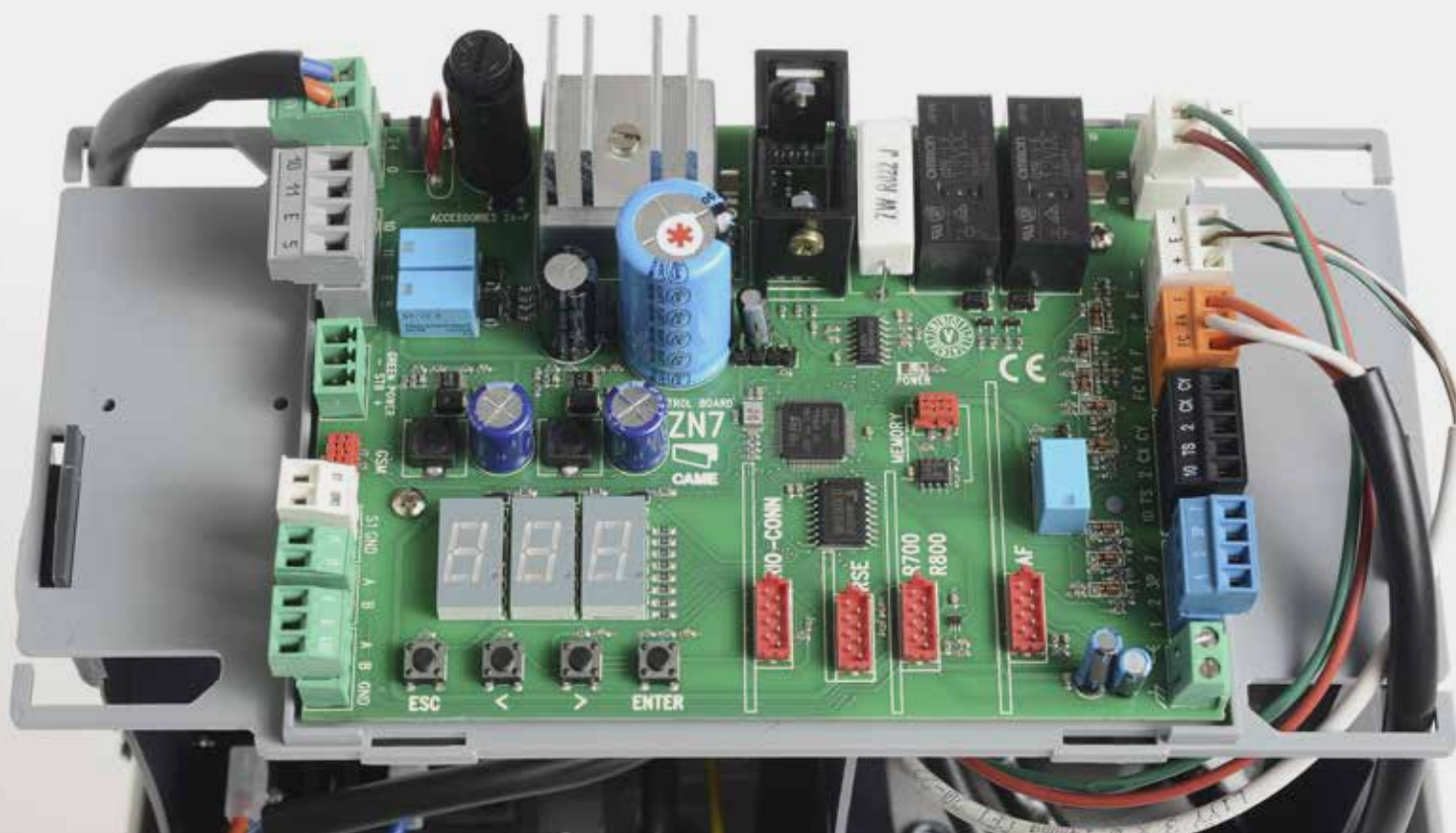
for paired mode, allows easy installation and configuration of double-operator gates as "master & slave" system.

SAFETY BATTERY SYSTEM

to guarantee correct functioning also in case of blackouts.

OPENING DIRECTION SETTING

available as a quick function on the display, without modifying the motor's wiring.





CAME KEY

YOUR NEW WORKING TOOL

The next generation working tool has arrived. No longer are you required to spend time on your knees, in the pouring rain, configuring the control board of the automation system.

CAME KEY is a local Wi-Fi interface that can communicate directly with your control board, allowing you to manage configuration using a smartphone or tablet with no need of an Internet connection.



App SETUP
available on:



Plug CAME KEY into the control board and download the free CAME SET UP App. Connected to your smartphone or tablet, CAME KEY allows:

- Fast configuration and automation.
- Firmware updates.
- Management of transmitters.
- Local and cloud back-up of the configuration and much more!



CAME CONNECT EXPERIENCE NOW THE FUTURE TECHNOLOGY FOR YOUR BUSINESS

CAME  **CONNECT**
CLOUD CONNECTED TECHNOLOGY

CAME CONNECT is the cloud system that allows you to remotely manage the automation system via a mobile device or through a PC with an Internet connection.

Using a "Gateway" device that is locally installed onto the system, the automation will be connected to a CAME certified world wide network accessible through a dedicated user platform.

From intercom to thermoregulation and smart-home systems, from gate automation to barriers and parking systems, all devices will be connected one to each other and will be available on the same device to perform complete diagnostics and fault monitoring.

Thanks to CAME CONNECT, you will grow up your business, offering an efficient and permanent maintenance service, a telephone technical support, and a quick intervention in case of malfunction.

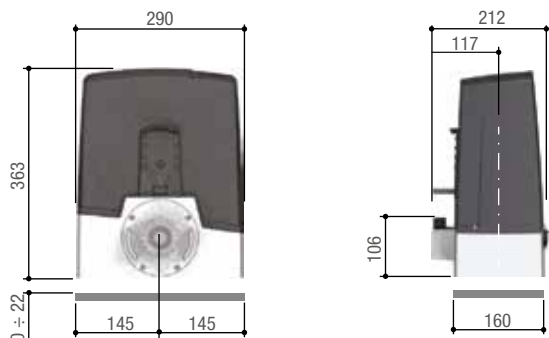
Connecting to the website and logging in as "Professional User", the installer can access many innovative feature:

- Visualize all customers' systems on a map with status indicators (proper functioning / malfunctions detected))
- Monitor the full list of devices connected for each customer with status indicators.
- Configure and control all devices.
- Manage scenarios and schedule operations.
- Check the log history and status.
- Manage scheduled maintenance of each device.

Logging in as "Private User", CAME CONNECT is also the perfect solution for the end user that needs to manage remotely all the systems of the house, such as acting on automations, watching the security system images, receiving alerts or forwarding assistance requests to the installer.



THE COMPLETE RANGE



Operational limits

MODELS	801MS-0150	801MS-0180	801MS-0210	801MS-0230	801MS-0160	801MS-0190	801MS-0250
Max. length of leaf (m)	14	18	20	20	14	18	20
Max. weight of leaf (kg)	400	600	800	1000	400	600	1000
MODELS	801MS-0380	801MS-0390	801MS-0260	801MS-0270	801MS-0280	801MS-0290	
Max. length of leaf (m)	18	20	14	18	20	20	
Max. weight of leaf (kg)	600	1000	400	600	800	1000	

Technical characteristics

MODELS	801MS-0150	801MS-0180	801MS-0210	801MS-0230	801MS-0160	801MS-0190	801MS-0250
Protection rating (IP)	44	44	44	44	44	44	44
Power supply (V - 50/60 Hz)	230 AC	230 AC	230 AC	230 AC	230 AC	230 AC	230 AC
Power supply to motor (V)	24 DC	24 DC	24 DC	24 DC	24 DC	24 DC	24 DC
Power (W)	170	270	170	170	170	170	170
Manouversing speed (m/min)	12	12	11	11	22	20	20
Duty/cycle (%)	HEAVY-DUTY SERVICE	HEAVY-DUTY SERVICE	HEAVY-DUTY SERVICE	HEAVY-DUTY SERVICE	HEAVY-DUTY SERVICE	HEAVY-DUTY SERVICE	HEAVY-DUTY SERVICE
Thrust (N)	350	600	800	1000	250	330	450
Operating temperature (°C)	-20 ÷ +55	-20 ÷ +55	-20 ÷ +55	-20 ÷ +55	-20 ÷ +55	-20 ÷ +55	-20 ÷ +55
MODELS	801MS-0380	801MS-0390	801MS-0260	801MS-0270	801MS-0280	801MS-0290	
Protection rating (IP)	44	44	44	44	44	44	
Power supply (V - 50/60 Hz)	230 AC	230 AC	110 AC	110 AC	110 AC	110 AC	
Power supply to motor (V)	24 DC	24 DC	24 DC	24 DC	24 DC	24 DC	
Power (W)	270	400	170	270	400	400	
Manouversing speed (m/min)	12	11	12	12	11	11	
Duty/cycle (%)	HEAVY-DUTY SERVICE	HEAVY-DUTY SERVICE	HEAVY-DUTY SERVICE	HEAVY-DUTY SERVICE	HEAVY-DUTY SERVICE	HEAVY-DUTY SERVICE	
Thrust (N)	600	1000	350	600	800	1000	
Operating temperature (°C)	-20 ÷ +55	-20 ÷ +55	-20 ÷ +55	-20 ÷ +55	-20 ÷ +55	-20 ÷ +55	

© CAME SPA - KADENGZE18 - 2019 - EN
CAME reserves the right to make any changes to this document, at any time. Even partial reproduction is prohibited.

● 24 V DC

CAME

CAME S.p.A.
Via Martiri della Libertà, 15
31030 Dosson di Casier
Treviso - ITALY

CAME.COM



We are a leading multinational supplier of integrated high-tech solutions for automating residential, public and urban settings, which generate intelligent spaces for the wellbeing of people.

- GATES AUTOMATION
- INTERCOM SYSTEMS
- BURGLAR ALARM SYSTEMS
- HOME AUTOMATION
- THERMOREGULATION
- BLINDS AND AWNINGS AUTOMATION
- GARAGE AND INDUSTRIAL DOORS
- AUTOMATIC DOORS
- TURNSTILES AND ACCESS CONTROL
- BOLLARDS AND PERIMETER SECURITY
- PARKING SYSTEMS AND ROAD BARRIERS

